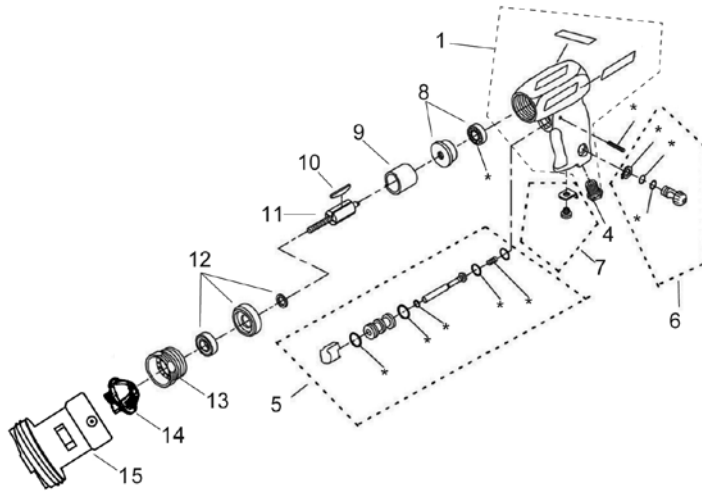


SP-A2 SERIES AIR MOTOR



ITEM NUMBER	DESCRIPTION	PART NUMBER
1	Housing assembly	317A-A40
4	Inlet bushing (with Screen)	317A-3B
5	Trigger assembly	317A-A93
6	Regulator assembly	317A-A249
7	Muffler kit	317A-AMK1
8	Rear-end plate assembly	317A-A12
9	Cylinder	317A-3
10	Vanes (set of 4)	317A-42-4
11	Rotor	317A-53
12	Front-end plate, assembly	317A-A11
13	Motor lock-nut	317A-27
14	Motor coupling	8333
15	Adaptor	9014

! Read and understand operating and safety instructions before operating any Standard Pump product.