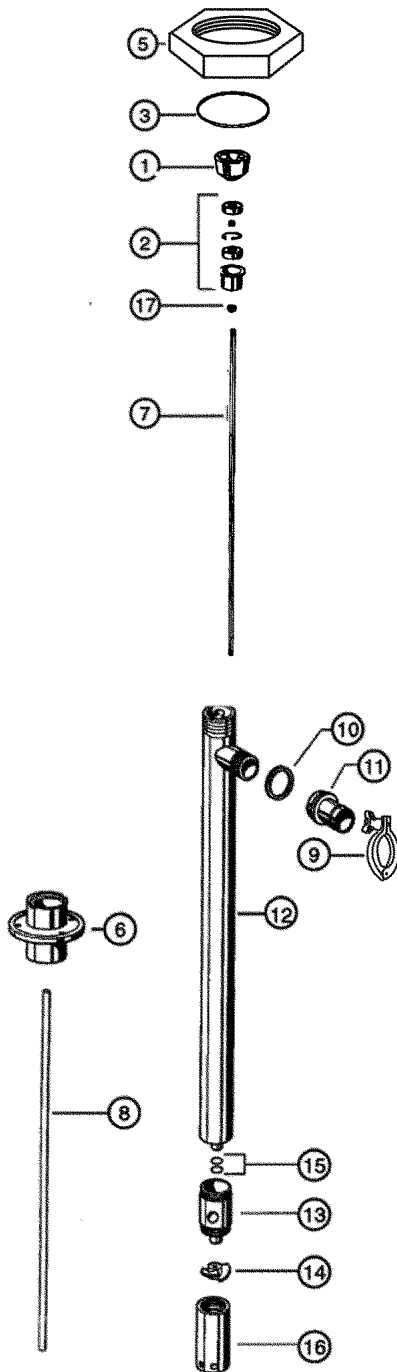


SP-8100 ULTRA FLOW SERIES



| ITEM NUMBER | DESCRIPTION | PART NUMBER |
|-------------|---|-------------|
| 1* | Pump coupling | 1004 |
| 2* | Bearing unit assembled — 2 each Viton shielded bearings, spacer, snap ring, bearing can | 1038 |
| 3* | Snap ring | 1508 |
| 5* | Hex nut | 8842 |
| 6 | Connection Flange | 8102 |
| 7 | Drive shaft 39" (1000 mm) | 2028 |
| | 47" (1200 mm) | 2029 |
| 8 | TFE guide sleeve 39" (1000 mm) /47" (1200 mm) | 8106 |
| 9 | Tri-clamp | 833 |
| 10 | "O"-ring, buna | 836 |
| 11 | Hose barb 1.25" (32 mm) | 834 |
| | 1.50" (38 mm) | 835 |
| 12 | Inner/outer tube assembly 39" (1000 mm) | 8104 |
| | 47" (1200 mm) | 8105 |
| 13 | Pump housing with Teflon bushing | 8107 |
| 14 | TFE impeller | 2706 |
| 15 | "O"- ring, buna, 2 per set | 8103 |
| 16 | Pump foot | 2708 |
| 17 | V-Seal - TFE | 4000 |