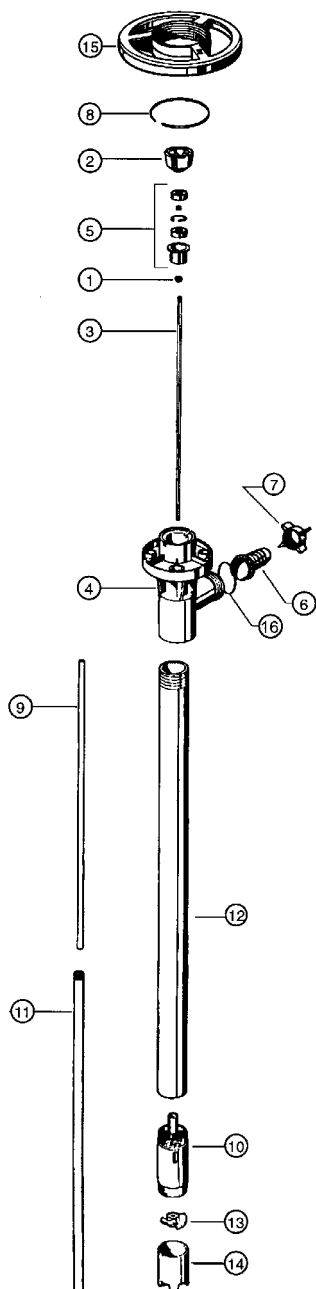


HIGH TEMPERATURE POLYPROPYLENE PUMP TUBE SERIES



| ITEM NUMBER | DESCRIPTION | PART NUMBER |
|-------------|--|--------------------|
| 1 | V-seal - TFE | 4000 |
| 2* | Pump coupling | 1004 |
| 3 | Drive shaft | 27" (700 mm) 1543 |
| | | 39" (1000 mm) 1544 |
| | | 47" (1200 mm) 1545 |
| | | 50" (1270mm) 1549 |
| | | 60" (1400 mm) 1546 |
| | | 72" (1800 mm) 1547 |
| 4 | | |
| 5* | Discharge housing | 6028 |
| | Bearing unit assembled - 2 each | 1038 |
| | Viton shielded bearings, spacer, | |
| | snap ring, bearing can | |
| 6 | Hose barb, 3/4" (22 mm) | 6051 |
| | 1" (25 mm) | 6082 |
| 7 | | |
| 8* | Wing nut | 6106 |
| 9 | Snap ring | 1508 |
| | Guide sleeve - TFE | |
| | 27" (700 mm), 39" (1000 mm), 47" (1200 | 1514 |
| | mm) 60" (1500 mm), 72" (1800 mm) | 1661 |
| 10 | | |
| 11 | Pump housing includes carbon bushing | 6524 |
| | Inner tube, 27" (700 mm) | 6600 |
| | 39" (1000 mm) | 6601 |
| | 47" (1200 mm) | 6602 |
| | 50" (1270mm) | 6623 |
| | 60" (1400 mm) | 6615 |
| | 72" (1800 mm) | 6616 |
| 12 | Outer tube, 27" (700 mm) | 6604 |
| | 39" (1000 mm) | 6603 |
| | 47" (1200 mm) | 6605 |
| | 50" (1270mm) | 6624 |
| | 60" (1400 mm) | 6617 |
| | 72" (1800 mm) | 6618 |
| 13 | Impeller | 6608 |
| | High pressure impeller | 4608 HH |
| 14 | Pump foot | 6609 |
| | High pressure pump foot | 6609 HH |
| 15* | Hand wheel | 1842 |
| 16 | O-Ring | 6695 |

*Parts interchange with all pump tubes.



Polypropylene pumps should not be used to pump flammables.