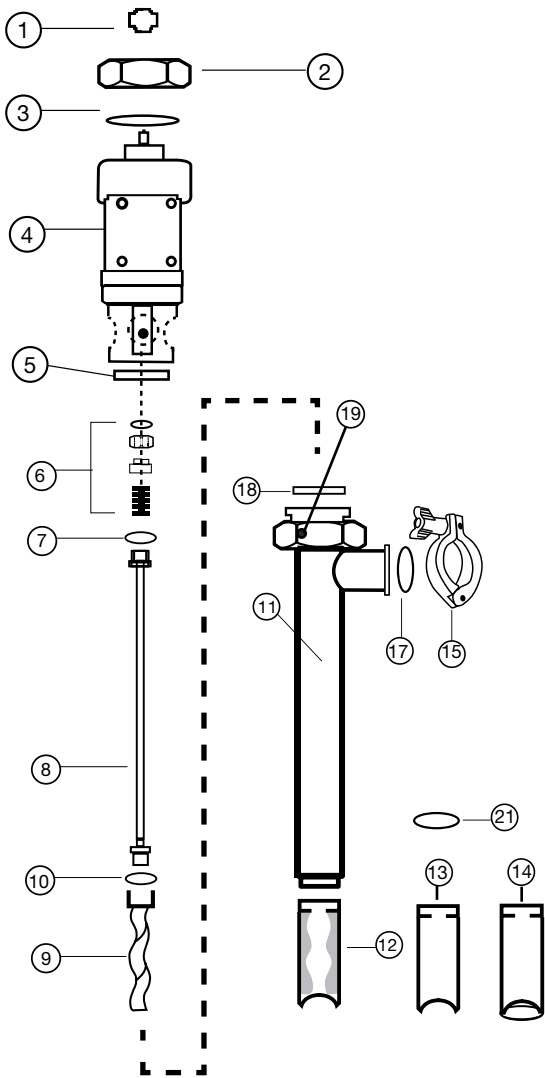


8500, 8500BL, 8501, 8501BL, 8513, 8513BL, 8514, 8514BL
SPARE PARTS



ITEM NUMBER	DESCRIPTION	PART NUMBER
1	Pump Coupling	1004
2	Hex Nut	8842
3	Snap Ring	1508
4	Gear Reduction Unit	701
5	Mechanical Seal Bushing	702
6	Mechanical Seal, SIC	703
7	Gasket PTFE	735
8	Drive Shaft, SS316	
	Pump Size - SP-1851-39	705
9	Rotor	
	Size 1851	710
10	Gasket PTFE	731
11	Outer Tube Assembly	
	Pump Size - SP-1851-39	801
12	Stator - PTFE Size 1851	824
13	Stator Tube Size 1851	876
14	Stator Tube For Bag Liner Size 1851	876BL
15	Tri-Clamp	833
16	Hose Barb 1.5 (38 mm)	835
17	O-Ring - BUNA	836
18	Gasket TFE	738
19	Set Screw	757
20	Batch Control Meter	83E25AFTAAAAA
21	SS Ring	0016
22	Check Valve	384510V

